



Micro Focus X-ray Source

Libra09UINJ-02

IMAGING THE FUTURE

- Micro focus X-ray source (sealed tube)
- In-line/Offline AXI system: Camera module/QFP/3C battery/SMT chip BGA /LED/PCB/ Electronic devices
- Minimum 5 μm spot size / Suitable for high-resolution and high magnification X-ray detecting system
- Easy installation / X-ray tube and high voltage generator are embedded in one block.

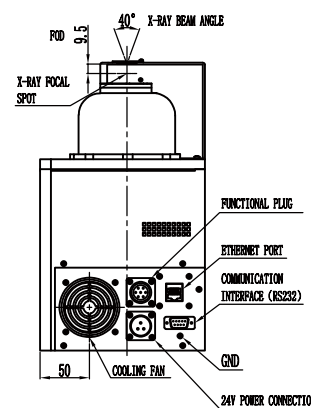
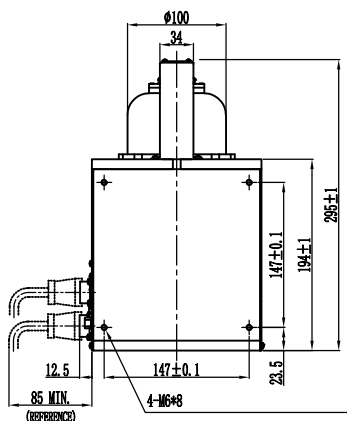
Technical Specifications

Libra09UINJ-02

X-ray tube voltage (kV)	20 ~ 90
X-ray tube current (μA)	10 ~ 200
Maximum output (W)	8
X-ray focal spot size (μm)	12μm
X-ray beam angle	40
Focus to object distance(FOD) (mm)	9.5
Weight (kg)	≈ 10
Communication method	RS-232C
Input voltage (V)	DC 24
Power consumption (W)	< 96
Operating ambient temperature (°C)	10 ~ 40
Storage ambient temperature (°C)	0 ~ 50
Operating humidity (%RH)	20 ~ 85
Storage humidity (%RH)	10 ~ 95
EMC	IEC/EN 61326-1
Applicable OS	Windows 7, 10
Control interface	RS-232C
Control command	/
Cable conector type	DC Power NWPC 3pin Type Interlock NET 7pin Type
Dimensions (mm)	167(D) x 295(H) x 172(W)

Dimensions

Unit: mm



Manufactured by iRay Technology specifications subject to change without notice.
Copyright © 2022 iRay Technology. All Rights Reserved

www.iraygroup.com

China

**Shanghai Headquarter
iRay Technology Company Limited**
Building 45, No.1000, Jinhai Road, Pudong
New Area, Shanghai, China 201206
Tel: +86-21-5072 0560
Email: market@iraygroup.com

Korea

iRay Korea Limited
1001, 10F, 5, Gasan digital 1-ro, Geum-
cheon-gu, Seoul, Republic of Korea 08594
Tel: +82-2-6335-6333
Email: market@iraykorea.com

Europe

iRay Europe GmbH
In den Dorfriesen 14
71720 Oberstenfeld, Germany
Tel: +49-7062-977 8800
Email: sales@irayeurope.com

North American

iRay Imaging LLC
129 Morgan dr. Suite 102 Norwood,
MA 02062
United States
Tel: +1 833-472-9001
Email: info@irayimagingusa.com